

Digital Recording Systems & DVRI*

DRS/DVRI Quick Install Guide

Eng



*When used with Philips Multiplexers

I INTRODUCTION

This guide provides the basic steps necessary to install the DVR1 with Philips multiplexer or DRS (Digital Recording System) kit. If you are not familiar with the operations of the Multiplexer and DVR1, refer to the LTC 2600 Series and DVR1 Instruction Manuals for more information.

2 INSTALLATION

1. Connect the Vext cable to the PCB boards:
 - Vext Pulse Out: DVR1 pin 5 to multiplexer pin 21.
 - Ground: DVR1 pin 7 to multiplexer pin 25.

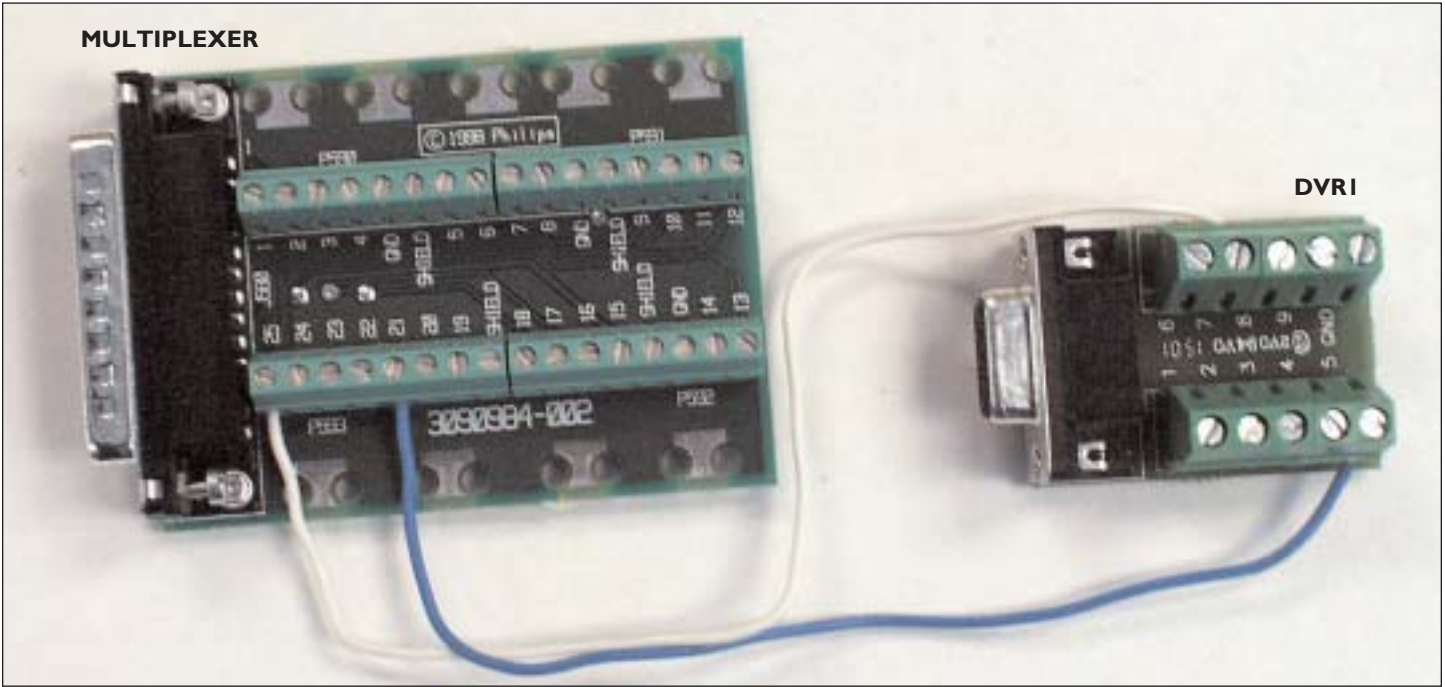


Figure 1 Vext Connection

2. Secure the DVR1's PCB board to its **Accessory Port** and the multiplexer's PCB board to its **Alarm Port**.
3. Connect the **VIDEO OUT** of the DVR1 to the Multiplexer's **VCR IN** (coax cable with BNC is not supplied).
4. Connect the **VIDEO IN** of the DVR1 to the Multiplexer's **VCR OUT** (coax cable with BNC is not supplied).
5. Connect a Monitor to the **MON A** output of the Multiplexer.
6. Connect the Camera inputs to the Multiplexer.
7. Apply power to the Multiplexer and DVR1.

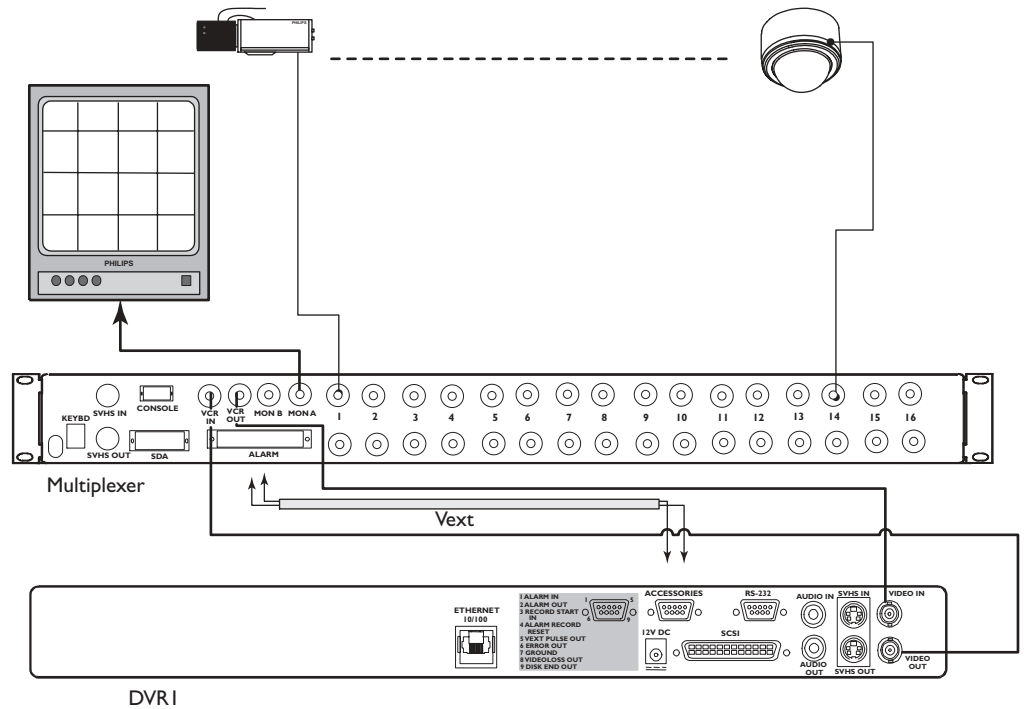


Figure 2 Connection Diagram

3 PROGRAMMING THE MULTIPLEXER

To access the menu screen of the Multiplexer, press **ALT** followed by **MENU**. The **Main Menu** displays the following two programming setup options: **Quick Setup** and **Advanced Setup**. Choose the **Advanced Setup** option by using the arrow keys, then press **SELECT**.

NOTE: Reference the LTC 2600 Series Installation Instructions for further instructions on programming the Multiplexer.

1. Execute the following Multiplexer *Advanced Menu* command to select **VEXT ON**:

ADVANCED SETUP → **VCR SETUP** → **RECORD SETUP VCR OUT** → **VEXT INPUT** “ON”

2. Execute the following Multiplexer *Advanced Menu* command to select the DVR1 as the VCR type:

ADVANCED SETUP → **VCR SETUP** → **RECORD SETUP VCR OUT** → **SELECT VCR** “DVR1”

3. If using the optional RS-232* connection between the DVR1 and Multiplexer, execute the following Multiplexer *Advanced Menu* command to select **PC Printer Setup to VCR** and **Serial Port to 96,N,8,1**.

ADVANCED SETUP → **PRINTER SETUP** → **CONNECT TO VCR** → “SERIAL PORT 96,N,8”

4 PROGRAMMING THE DVR1

In order to view the DVR1’s menu screen through the Multiplexer’s **MON A** output, follow these instructions to access the VCR test mode.

- On the Multiplexer, press **ALT**, then **VCR**.
- On the DVR1, press **MENU**.

1. Execute the following DVR1 *Advanced Menu* command to select **PHILIPS** as the Multiplexer:

ADVANCED MENU → **MULTIPLEXER FORMAT** → “PHILIPS”

2. If using the optional RS-232* connection between the DVR1 and Multiplexer, execute the following Multiplexer *Advanced Menu* command to select **Baud Rate to 9600**.

ADVANCED SETUP → **COMMUNICATIONS** → **BAUD RATE** → “9600”

5 OPTIONAL EQUIPMENT

The DRS includes the following optional equipment:

- P/T/Z control of cameras via a Multiplexer Keyboard (only *System4*® Multiplexers).
- Remote Viewing of video using the **Remote Viewer Software** and a PC.
- Control of several DVR1 functions (stop, play, rewind, fast forward, pause) through the Multiplexer front panel and/or Keyboard utilizing the RS-232* control.
- Archiving options utilizing the SCSI port on the DVR1.

Further information regarding connection of optional equipment may be found in the instruction manuals provided with the DVR1/DRS.

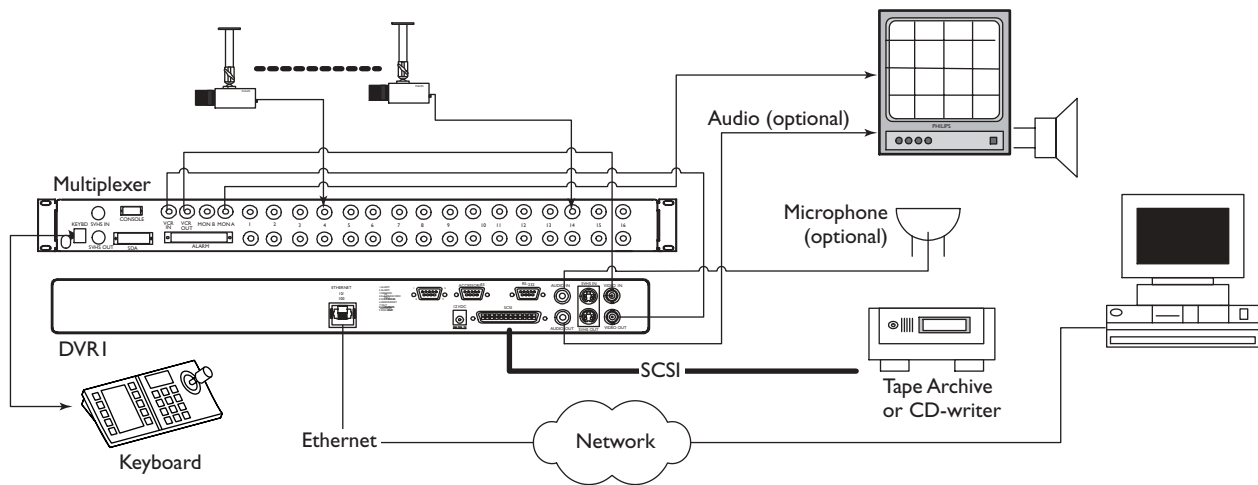


Figure 3 Complete System (Optional Equipment Shown)

*NOTE: The RS-232 control option is only available with the 9- and 16-channel versions of *System4*® Multiplexers.

For additional information or to speak to a representative, please contact the Philips Communication, Security & Imaging location nearest you:

**The Americas: 1 800 326 3270
Europe & Middle East: +31 40 278 1222
Asia Pacific Region: +65 350 1859**

or visit our Web site at www.philipscsi.com.